

Mi-Light 9W ZIGBEE 3.0 RGB+CCT Square LED Wall Light



Product Code:	LA509RZL
Product Type:	LED Lawn / Driveway Light
Guarantee Period:	5 Years
Colour:	RGB+CCT
Colour Temperature:	2700K - 6500K
Power:	9W
Rated Current:	0.38A
Input Voltage:	24V DC
Operating Protocol:	ZIGBEE 3.0
Zigbee Wireless Frequency:	2.400 - 2.480GHz
Working Temperature:	-20~45°C
CRI Rating:	>80
Light Efficiency:	80LM/W
Luminous Flux:	720LM
Illumination Distance:	>8m
IP Rating:	IP66
Average LED lifetime:	30,000 Hours
Unit Size:	126 x 118 x 261 (mm)
Mounting Base Size:	126 x 261 (mm)
Dimmable:	Yes
Control Distance:	100m (Open Area)

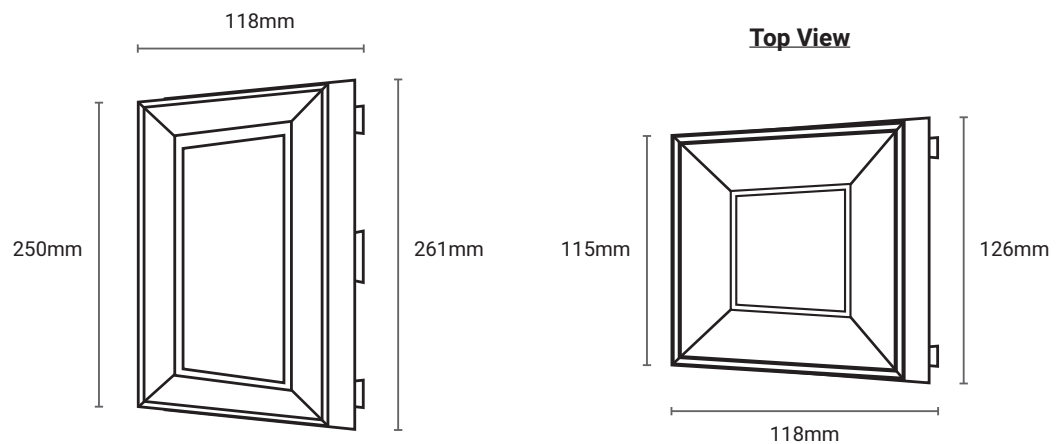
Features & Benefits:

- The Lawn Light uses professional ZIGBEE 3.0 Protocols
- The IP66 rating allows this unit to be useable outdoors
- Bright colour-changing RGB+CCT LEDs
- Stylish Square Shaped Design
- Five Year Warranty
- For use with 24V Drivers

Dimensions (Unit: mm)



789g



Telephone: **01260 540014**

Opening times: Mon-Thur: 8:30am - 5:00pm

Fri: 8:30am - 4:30pm

www.ledtechnologies.co.uk

We reserve the right to change specifications without notice. E&OE

If you require Technical support or for general enquiries, Please do not hesitate to contact one of our LED Technical experts on the contact information provided.