

9W RGB+CCT LED Underground Light (LoRa 433MHz)  
Model No.: RD9L

## Product Features

We use LoRa modem technology to fulfill the super long distance controlling. It's controlled by our 433MHz remote control or 433MHz Gateway for smartphone control. The lamp is with Red, Green, blue, cool white and warm white LED chips to fulfill the color changing, brightness dimming and dynamic mode controlling. Easy operation.



RGB+CCT  
16 millions of colors to choose



433MHz RF wireless  
transmission technology



Color temperature  
2700K~6500K



433MHz remote controller  
control



Dim brightness/  
Saturation



Smartphone APP control  
(433MHz Gateway is needed)



Waterproof and dustproof  
grade IP68



Support third party voice control  
(433MHz Gateway is needed)

## Dynamic Mode Sheet

Number	Dynamic Mode	Brightness & Speed
1	Mardi gras	Adjustable
2	Automatic color change	
3	Sam	
4	Gemstone	
5	Twilight	
6	American	
7	Fat tuesday	
8	Party	
9	Slow color splash	

## Parameters

Model No.: RD9L

Input: AC12V / DC12V~24V

Power: 9W

Working Temperature: -20~45°C

Color Temperature: 2700K~6500K

Luminous Flux: 600LM

Light Efficiency: 70LM/W

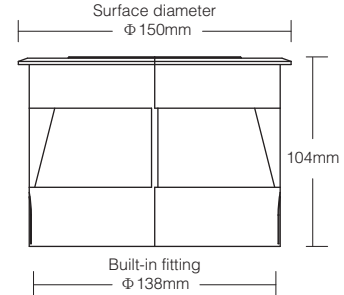
CRI: >80

Lifespan: 50000h

Beam Angle: 15°

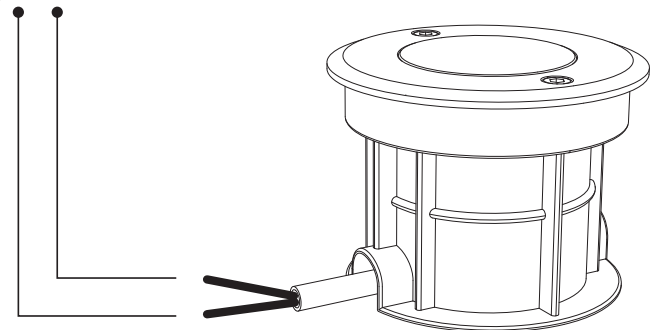
IP Rate: IP68

RF: 433MHz (LoRa spread spectrum)



## Connection Diagram

Input: AC12V / DC12V~24V

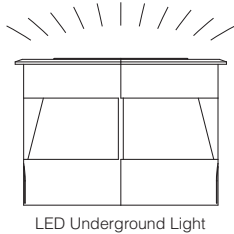


## Link/Unlink

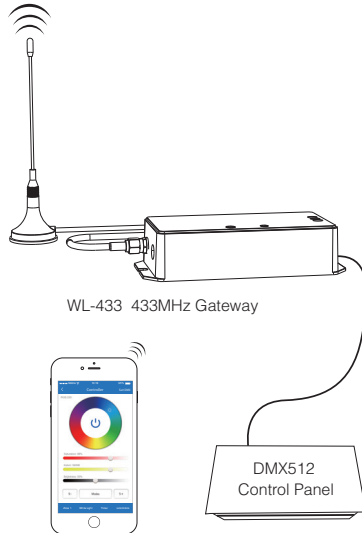
Compatible with "FUT086 remote control" and "WL-433 433MHz gateway"  
(Purchased separately)



Lighting can be working after linking with remote; for more details,  
pls read the remote instruction.



FUT086 433MHz Remote Control



## Switch-OFF to change color instruction

Switch OFF(for 5 seconds); Switch-ON again	Switch-OFF (For 5-10 seconds); Switch ON again	Switch-OFF ( for over 10 seconds); Switch ON again
<b>Switch the colors and dynamic modes in turn</b> 1. Static red 2. Static green 3. Static blue 4. Static yellow 5. Static cyan 6. Static purple 7. Static cool white 8. Static warm white 9. Mardi gras 10. Automatic color change 11. Sam 12. Gemstone 13. Twilight 14. American 15. Fat tuesday 16. Party 17. Slow color splash	Static red	Status before Switch OFF

## Attention

1. Please check whether the input voltage supply is in accordance with the lighting fixtures, and please check the connection of both the cathode and anode.
2. The working voltage is DC24V, the light will be damaged if the voltage is higher than DC24.
3. Non-professional user cannot dismantle the light directly, otherwise it may damage the it.
4. The working temperature is -20~45°C.
5. Please do not use light around the mental area and high magnetic field, otherwise, the control distance will be affected seriously.

