

**MIBOXER**<sup>®</sup> | Mi·Light  
Subordinate New Brand

## RGB+CCT LED Garden Light (LoRa 433MHz)

Model No.: FUTC06L

### Features

Use LoRa SPSP modem technology, fulfill super long distance signal transmitting, 433MHz RF remote or 433MHz gateway controllable, 16 millions colors, CCT, brightness and saturation controllable.



16 millions  
of colors to choose



Super long distance 433MHz  
remote controller control



Color temperature  
2700~6500K



Smart phone APP control  
(433MHz Gateway is needed)



Dimmable  
Saturation control



Support third party voice control  
(433MHz gateway is needed)



433MHz RF wireless  
transmission technology

### Dynamic Mode Sheet

Number	Dynamic Mode	Brightness & Speed
1	Mardi gras	Adjustable
2	Automatic color change	
3	Sam	
4	Gemstone	
5	Twilight	
6	American	
7	Fat tuesday	
8	Party	
9	Slow color splash	

### Parameters

#### 50W RGB+CCT LED Garden Light (LoRa 433MHz)

Model No.: FUTC06L

Input Voltage: AC100~240V 50/60Hz

Power: 50W

Working Temp.: -20~60°C

Color Temp.: 2700~6500K

Luminous Flux: 4000LM

Light Efficiency: 80LM/W

CRI: >80 PF: >0.9

Lifespan: 50000 hours

Illumination Distance: >15m

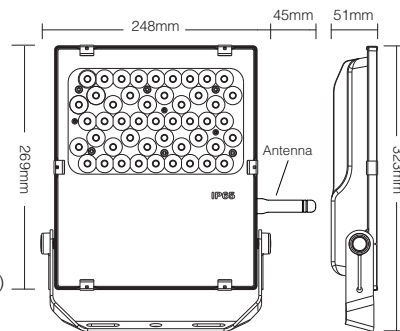
Beam Angle: 25°

IP Rate: IP65

RF: 433MHz (LoRa spread spectrum)

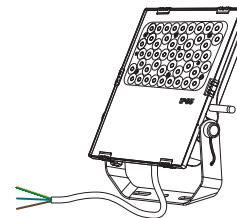
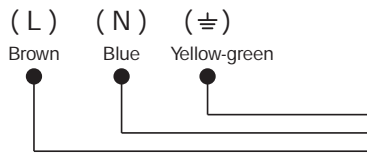
Control Distance: 2000m

Product Weight: 2.07kg




### FUTC06L / FUTC07L Connection Diagram

Input Voltage: AC100~240V 50/60Hz



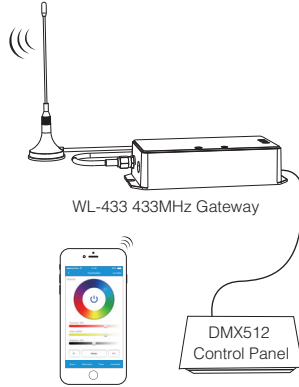
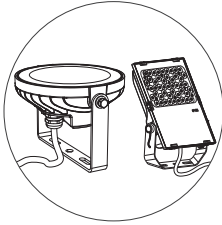
## Link/Unlink

Compatible with "FUT086 remote" and "WL-433 433MHz gateway"  
(Purchased separately)

 Lighting can be working after linking with remote; for more details,  
pls read the remote instruction.



FUT086 LoRa 433MHz RF Remote



## Attention

1. When install the lighting fixtures, pls switch off the power to make sure the safty.
2. Please check whether the input voltage supply is in accordance with the lighting fixtures, and please check the connection of both the cathode and anode.
3. The working power is high voltage alternating current, so it must be far away from people and must with ground connection.
4. Non-professional user cannot dismantle the lighting fixtures directly, otherwise, it may cause fire and electric shock.
5. Please do not use lighting fixtures around the mental area and high magnetic field, otherwise, it will badly affect the control distance.
6. The lighting fixtures will be heating on working, pls do not cover the lighting housing.

